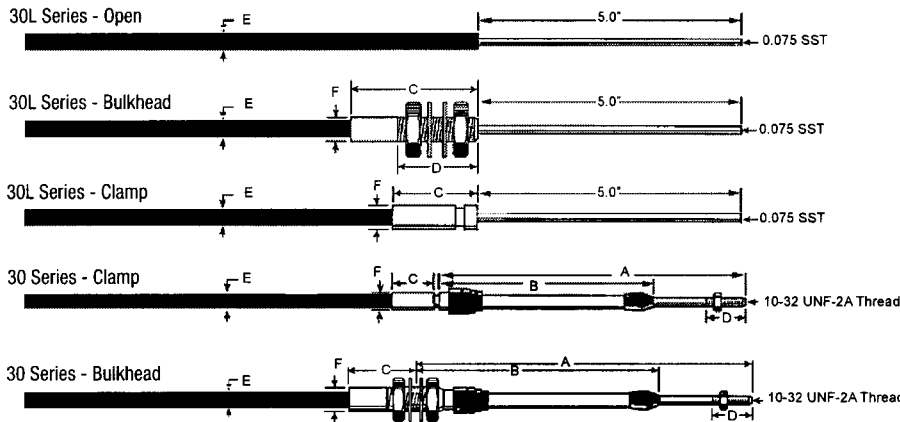


Positive Lock Cables - 30 Series

Positive Locks allow desired settings to be made and released by turning the T-handle less than 1/8 of a turn in either direction.



CABLE END TYPES



*** For fastest delivery ask about TMAP cables. Custom built and shipped the same day!**

Cable Series	Part Number	End Type	Travel	"A"	"B"	"C"	"D"	"E" Dia.	"F" Dia.	Min. Bend Radius	
30L	043820-002-XXXX (length in inches)	OPEN	2" (50.8)	-	-	-	-	.26	-	6" (152.4)	
	043150-002-XXXX (length in inches)	BULKHEAD		-	-	1.88	1.00	.26	.38		
	043151-002-XXXX (length in inches)	CLAMP		-	-	1.31	-	.26	.38		
	30L	043820-003-XXXX (length in inches)	OPEN	3" (76.2)	-	-	-	-	.26	-	6" (152.4)
		043150-003-XXXX (length in inches)	BULKHEAD		-	-	1.88	1.00	.26	.38	
		043151-003-XXXX (length in inches)	CLAMP		-	-	1.31	-	.26	.38	
	30L	043820-004-XXXX (length in inches)	OPEN	4" (101.6)	-	-	-	-	.26	-	6" (152.4)
		043150-004-XXXX (length in inches)	BULKHEAD		-	-	1.88	1.00	.26	.38	
		043151-004-XXXX (length in inches)	CLAMP		-	-	1.31	-	.26	.38	
30	043143-002-XXXX (length in inches)	BULKHEAD	2" (50.8)	6.88 (174.7)	4.00 (101.6)	1.44	.88	.34	.44	5" (127.0)	
	043142-002-XXXX (length in inches)	CLAMP		6.19 (157.2)	3.31 (157.2)	1.13	.88	.34	.38		
	30	043143-003-XXXX (length in inches)	BULKHEAD	3" (76.2)	8.88 (225.5)	5.00 (127.0)	1.44	.88	.34	.44	5" (127.0)
		043142-003-XXXX (length in inches)	CLAMP		8.19 (208.0)	4.31 (109.4)	1.13	.88	.34	.38	
	30	043143-004-XXXX (length in inches)	BULKHEAD	4" (101.6)	10.88 (276.3)	6.00 (152.4)	1.44	.88	.34	.44	5" (127.0)
		043142-004-XXXX (length in inches)	CLAMP		10.19 (258.8)	5.31 (134.8)	1.13	.88	.34	.38	

All Dimensions are in inches (mm)

Phone: 800-225-0004 Fax: 908-486-1056
e-mail: sales@sealandpower.com

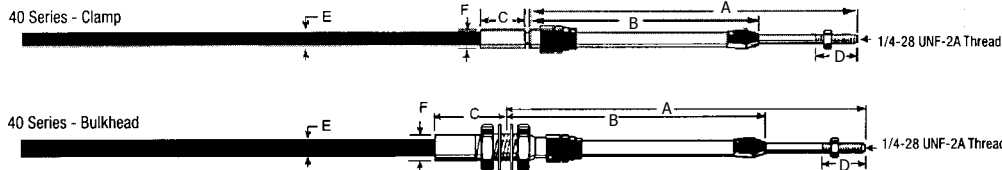
Ind/016

Positive Lock Cables - 40 Series

Positive Locks allow desired settings to be made and released by turning the T-handle less than 1/8 of a turn in either direction.



CABLE END TYPES



* For fastest delivery ask about **TMAP** cables. Custom built and shipped the same day!

40 Series Cable Part Number	End Type	Travel	"A"	"B"	"C"	"D"	"E" Dia.	"F" Dia.	Min. Bend Radius
043145-002-XXXX (length in inches)	BULKHEAD	2" (50.8)	6.88	4.00	1.44	.88	.34	.44	5" (127.0)
043144-002-XXXX (length in inches)	CLAMP		6.19	3.31	1.13	.88	.34	.38	
043145-003-XXXX (length in inches)	BULKHEAD	3" (76.2)	8.88	5.00	1.44	.88	.34	.44	5" (127.0)
043144-003-XXXX (length in inches)	CLAMP		8.19	4.31	1.13	.88	.34	.38	
043145-004-XXXX (length in inches)	BULKHEAD	4" (101.6)	10.88	6.00	1.44	.88	.34	.44	5" (127.0)
043144-004-XXXX (length in inches)	CLAMP		10.19	5.31	1.13	.88	.34	.38	

All Dimensions are in inches (mm)

Cable Hardware	Part Number
30L Stop Collar	037693
T-Handle - black plastic -30	043133-001
30L Clamp	043229
30L Pivot	047639
30L Pivot	047640
30L Pivot	047641
T-Handle - aluminum, unpainted -30	063676
30L Bulkhead Adapter Kit	300673
30L Clamp Adapter Kit	302485
30C Clamp to Bulkhead Kit	304307

Cable Hardware	Part Number
T-Handle - aluminum, unpainted -40	048407
40C Clamp to Bulkhead Kit	304308

Posi-Lock Control Head Dimensions

A = 3.50 (88.9 mm)	Travel = 1"
4.50 (114.3 mm)	2"
5.50 (139.7 mm)	3"
6.50 (165.1 mm)	4"
7.50 (190.5 mm)	5"

