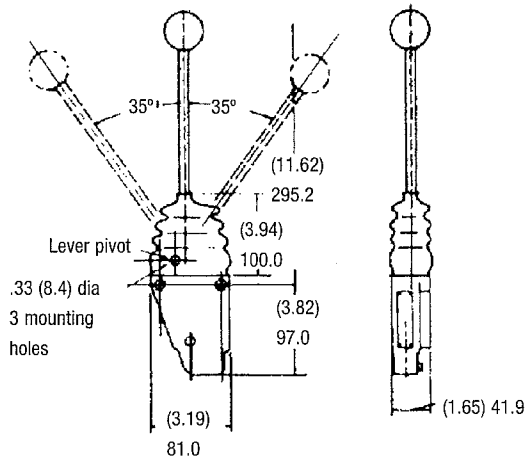
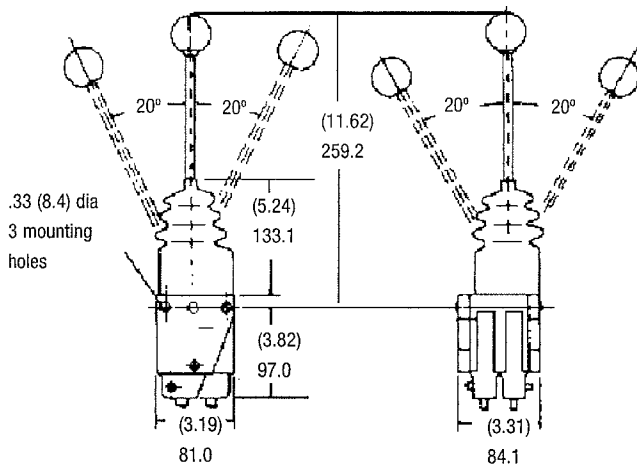


Remote Valve Controls

The Teleflex Morse valve controls permit remote control of high-pressure hydraulic valves, such as directional control spool valves. The valves and controls can be located where they are easiest to install and operate, eliminating the challenges of hydraulic lines. The remote valve controls are compact, easy to install units that can be used singly or "stacked" to operate any number of valves. The controls are connected to the valve by a high efficiency Teleflex Morse push pull cable and a valve connection kit. Dual axis controls are available to operate two valves independently.



Key Features

- **Quality Standard** – the Teleflex Morse systems are the industry standard for quality and longevity.
- **Easy installation** – the control can be flush mounted and side mounted or banked together and through-bolted, all at the discretion of the installer with no additional adapters necessary.
- **Connection Kits** – bonneted connection kits protect valve spool and cable end after installation

Remote Valve Controls

How to order

Single-Axis systems consist of a control head, a cable of proper length and a bonnet-type connection kit for each valve. Please specify the correct cable length and appropriate connection kit.

Dual-Axis systems consist of a control head, two cables of proper length and two bonnet-type connection kits. Please specify the correct cable lengths and appropriate connection kits.

Teleflex Morse Remote Valve Controls	Part Numbers
Single Axis (with round screw-on knob)	206301
Single Axis (without knob on handle)	212507
Single Axis (with flat top knob)	316597
Dual Axis (with round screw-on knob)	308721
Dual Axis (with flat top knob)	316598
Flat Top Knob	309984
Optional Decals for Flat Top Knobs	309985-001 through -005

Bonnet-Type Connection Kits	Part Numbers
Commercial Intertech A-20 Rear Entry	303418
Commercial Intertech A-35 Rear Entry	303412
Commercial Intertech VA20	307489
Cross 3LR - 3CB	303036
Cross BA, BC, CA, CD	302890
Energy CVSD, CVP, CCVA-200	303032
Gressen SP, SPK, SSK-Clevis Kit	302863
Racine ML15 w/Yoke	306043
Rex Roth 30-S2, MP-18	303034
Vickers CM11-Clevis Kit	045985

Remote Valve Control Cables



42UG



42BG



42CG

Remote Valve Control Cables	Part Numbers
42UG Cable	302845-00-XXX
42BG Cable 1/4-28 thread	302665-00-XXX
42CG Cable 1/4-28 thread	302486-00-XXX

XXX = length in inches

To determine cable length, measure from the bottom of the control along the cable path to the end of the valve spool to be controlled. Cables are available in increments of 1-ft. If cable measurement is feet plus inches, order the next longer length.

*** For fastest delivery ask about TMAP cables. Custom built and shipped the same day!**

Phone: 800-225-0004 ☎ Fax: 908-486-1056
e-mail: sales@sealandpower.com

Ind/039