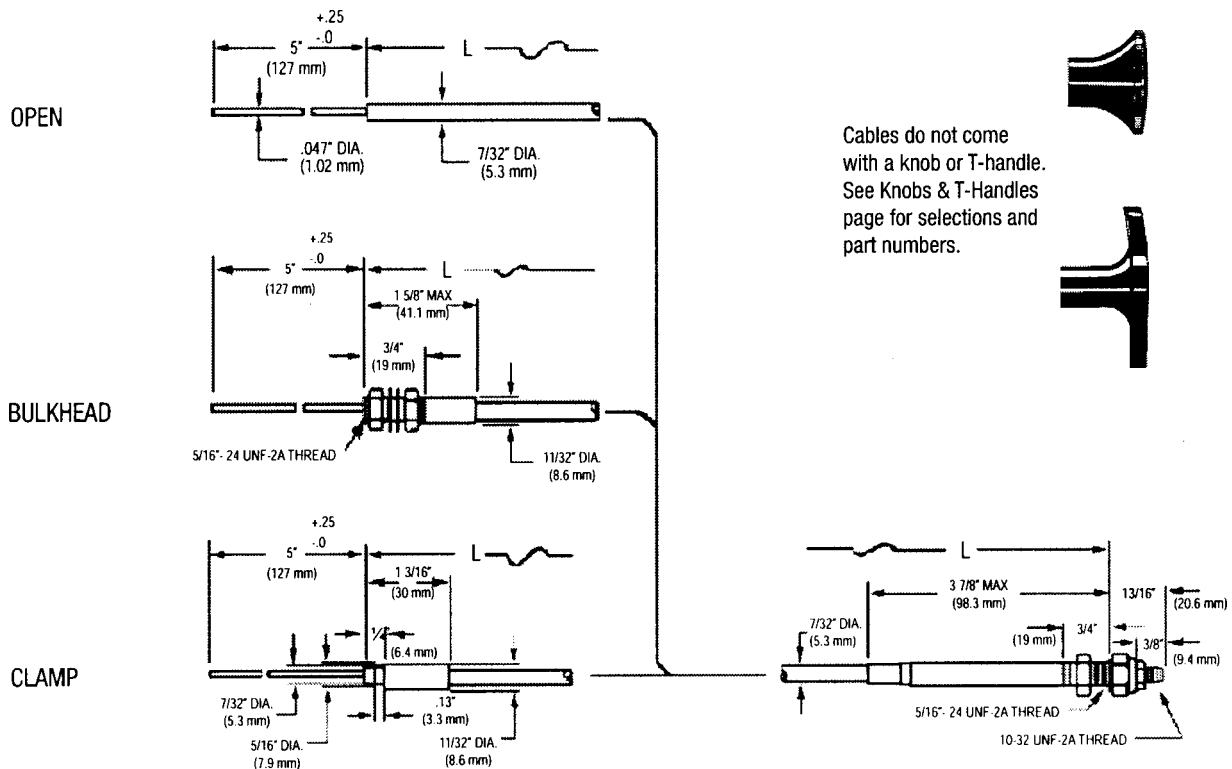


Utility Cables - 20L Series

These cables feature open, solid wire ends and are recommended for light duty, light load applications. Chokes, switches, throttles, valves, latches, etc., with a light or "pull only" load, are ideal uses for 20L Series utility cables. All feature corrosion resistant construction and non-metallic liners for long life and easy operation.

End Type	Recommended Minimum Bend Radius	Maximum Travel	Part Number
Open	4.00" (101.6mm)	2.50" (63.5mm)	048701-000-XXXX (length in inches)
Bulkhead	4.00" (101.6mm)	2.50" (63.5mm)	048702-000-XXXX (length in inches)
Clamp	4.00" (101.6mm)	2.50" (63.5mm)	048703-000-XXXX (length in inches)



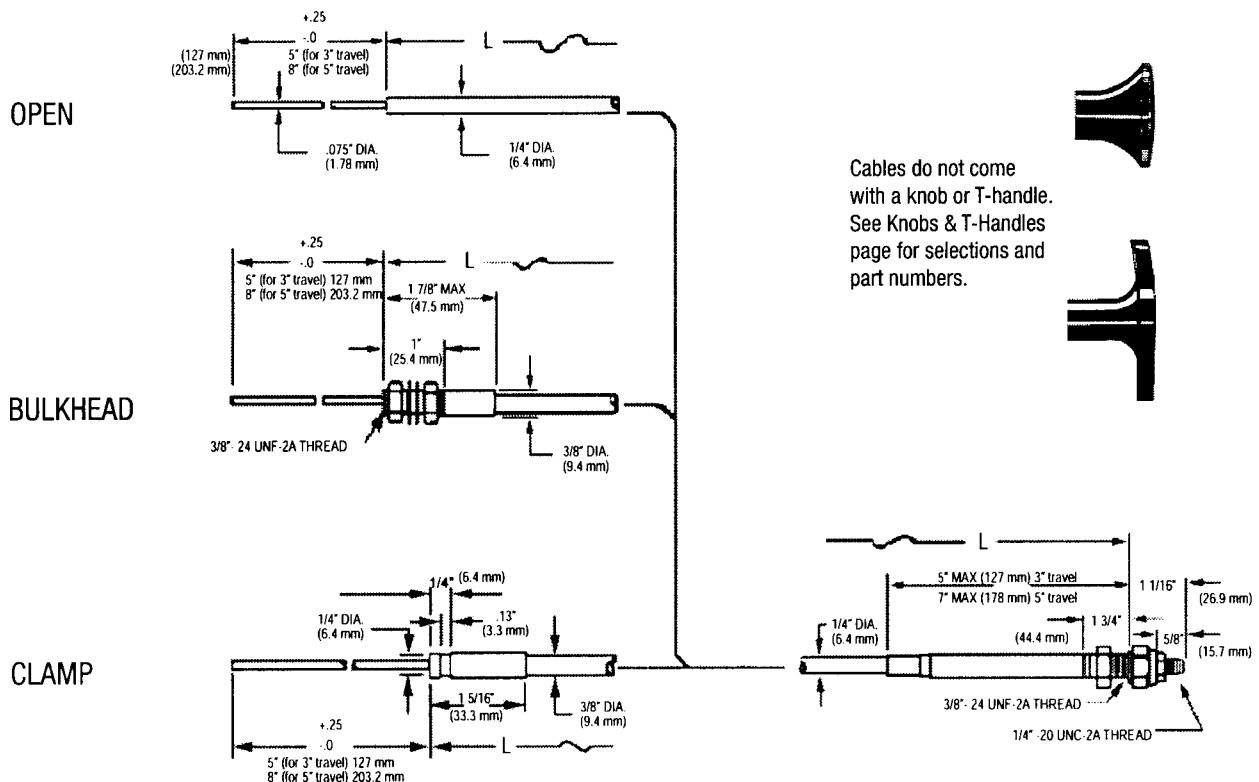
Utility Cables - 30L Series

These cables feature open, solid wire ends and are recommended for light duty, light load applications. Chokes, switches, throttles, valves, latches, etc., with a light or "pull only" load, are ideal uses for 30L Series utility cables. All feature corrosion resistant construction and non-metallic liners for long life and easy operation.

30L Series Cable Hardware	Part Number
Stop Collar	037693
Clamp	043229
Pivot	047639
Pivot	047640
Pivot	047641
Bulkhead Adapter Kit	300673
Clamp Adapter Kit	302485

End Type	Recommended Minimum Bend Radius	Maximum Travel	Part Number
Open	6.00" (152.4mm)	3.00" (76.2mm)	048711-000-XXXX (length in inches)
		5.00" (127mm)	048721-000-XXXX (length in inches)
Bulkhead	6.00" (152.4mm)	3.00" (76.2mm)	048712-000-XXXX (length in inches)
		5.00" (127mm)	048722-000-XXXX (length in inches)
Clamp	6.00" (152.4mm)	3.00" (76.2mm)	048713-000-XXXX (length in inches)
		5.00" (127mm)	048723-000-XXXX (length in inches)

*** For fastest delivery ask about TMAP cables. Custom built and shipped the same day!**



Phone: 800-225-0004 Fax: 908-486-1056
e-mail: sales@sealandpower.com

Utility Cables - 30 & 40 Series

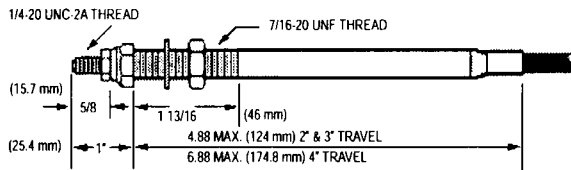
These cables feature rod and sleeve ends, and are designed for applications with heavier loads, and both "push to operate" and "pull to operate" functions.

Cables do not come with a knob or T-handle. See Knobs & T-Handles page for selections and part numbers.



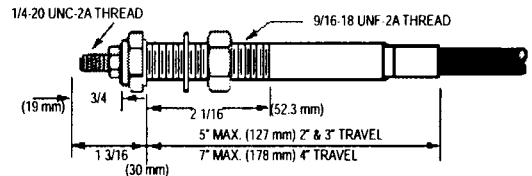
HANDLE END

30 SERIES UTILITY CABLE



.075" (1.9 mm) Dia. Solid Stainless Steel Core.

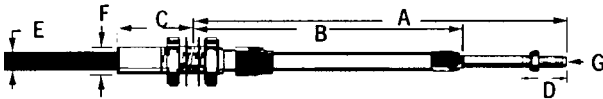
40 SERIES UTILITY CABLE



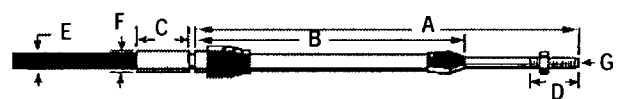
1/8" (3.2 mm) Dia. Armored Strand Core.

OUTPUT END

30, 40 Series - Bulkhead



30, 40 Series - Clamp



Cable Series	Part Number	Min. Bend Radium	Travel	End Type	"A"	"B"	"C"	"D"	"E" Dia.	"F" Dia.	"G" Thread UNF-2A
30	038033-002-XXXX (length in inches)	8" (203.2)	2" (50.8)	Bulkhead	6.88 (174.7)	4.00 (101.6)	1.44 (36.5)	.88 (22.3)	.34 (8.6)	.44 (11.1)	10-32
	038038-002-XXXX (length in inches)			Clamp	6.19 (157.2)	3.31 (84.0)	1.13 (28.7)	.88 (22.3)	.34 (8.6)	.38 (9.6)	10-32
	038033-003-XXXX (length in inches)	8" (203.2)	3" (76.2)	Bulkhead	8.88 (225.5)	5.00 (127.0)	1.44 (36.5)	.88 (22.3)	.34 (8.6)	.44 (11.1)	10-32
	038038-003-XXXX (length in inches)			Clamp	8.19 (208.0)	4.31 (109.4)	1.13 (28.7)	.88 (22.3)	.34 (8.6)	.38 (9.6)	10-32
	038033-004-XXXX (length in inches)	8" (203.2)	4" (101.6)	Bulkhead	10.88 (276.3)	6.00 (152.4)	1.44 (36.5)	.88 (22.3)	.34 (8.6)	.44 (11.1)	10-32
	038038-004-XXXX (length in inches)			Clamp	10.19 (258.8)	5.31 (134.8)	1.13 (28.7)	.88 (22.3)	.34 (8.6)	.38 (9.6)	10-32
40	038043-002-XXXX (length in inches)	5" (127.0)	2" (50.8)	Bulkhead	7.13 (181.1)	4.13 (104.9)	1.76 (44.7)	1.00 (25.4)	.43 (10.9)	.62 (15.7)	.250-28
	038046-002-XXXX (length in inches)			Clamp	6.50 (165.1)	3.50 (88.9)	1.38 (35.1)	1.00 (25.4)	.43 (10.9)	.56 (14.2)	.250-28
	038043-003-XXXX (length in inches)	5" (127.0)	3" (76.2)	Bulkhead	9.13 (231.9)	5.13 (130.3)	1.76 (44.7)	1.00 (25.4)	.43 (10.9)	.62 (15.7)	.250-28
	038046-003-XXXX (length in inches)			Clamp	8.50 (215.9)	4.50 (114.3)	1.38 (35.0)	1.00 (25.4)	.43 (10.9)	.56 (14.2)	.250-28
	038043-004-XXXX (length in inches)	5" (127.0)	4" (101.6)	Bulkhead	11.13 (282.7)	6.13 (155.7)	1.76 (44.7)	1.00 (25.4)	.43 (10.9)	.62 (15.7)	.250-28
	038046-004-XXXX (length in inches)			Clamp	10.50 (266.7)	5.50 (139.7)	1.38 (35.0)	1.00 (25.4)	.43 (10.9)	.56 (14.2)	.250-28

All Dimensions are in inches (mm)

* For fastest delivery ask about **TMAP** cables. Custom built and shipped the same day!

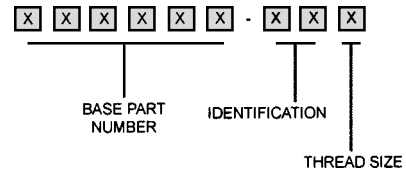
Phone: 800-225-0004 Fax: 908-486-1056
e-mail: sales@sealandpower.com

Ind/014

Utility Cables - Knobs & T-Handles

A variety of knobs and T-Handles are available and must be ordered separately by part number. They are not included with cables but are included in the cable price. The part number consists of a base number which specifies configuration, color and material, a suffix number which specifies identification (or lack of it) and a suffix letter which specifies thread size.

Example: 043267-04A is a black plastic knob with the identification "Throttle" and #10-32 threads.



Base Number	Material	Color	"S" Dim.	"T" Dim.	Available Thread	Available Identification
KNOBS						
043310	Plastic	Black	7/8"	29/32"	A only	All
043267	Plastic	Black	1-3/8"	1-3/32"	A, B	All
044343	Plastic	Red	1-3/8"	1-3/32"	A, B	All
T-HANDLES						
041884	Plastic	Black	2-3/8"	1-5/16"	A, B	All
042978	Plastic	Red	2-3/8"	1-5/16"	A, B	All
037601	Aluminum	Natural	2-3/8"	1-5/16"	A, B	All
038364	Aluminum	Natural	3-1/2"	1-3/4"	B only	All
067725	Aluminum	Black	3-1/2"	1-3/4"	B only	All
067724	Aluminum	Red	3-1/2"	1-3/4"	B only	All

Identification Suffix Number			
-01 Plain (no indent.)	-04 Throttle	-07 Close	-10 Raise
-02 Stop	-05 Choke	-08 Emergency Stop	-15 Fuel Shutoff
-03 Shutoff	-06 Open	-09 PTO	-16 Engine Stop

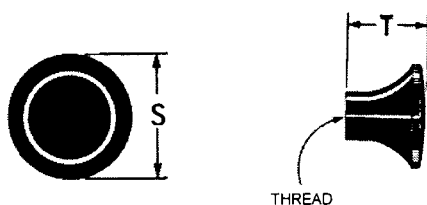
UTILITY CABLE THREAD SIZES AT CONTROL HEAD END

20 Series 10-32
30L Series 1/4-20
30 Series 1/4-20
40 Series 1/4-20

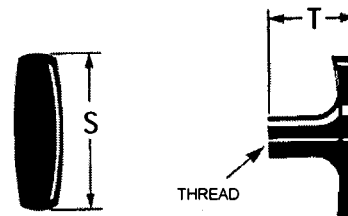
THREAD SUFFIX LETTERS

A 10-32
B 1/4-20

KNOB



T-HANDLE



Phone: 800-225-0004  Fax: 908-486-1056
e-mail: sales@sealandpower.com